

## P/2 DA6 PLUS

Six Output VGA-UXGA Distribution Amplifier

## P/2 DA4 PLUS

Four Output VGA-UXGA Distribution Amplifier

**RETIRED PRODUCT**



Model	Version Description	Part #
P/2 DA6 PLUS		60-245-01
P/2 DA4 PLUS		60-246-01

***This product has been retired.***

### SUGGESTED REPLACEMENT

- [P/2 DA6xi](#)
- [P/2 DA4xi](#)

### DESCRIPTION

The Extron P/2 DA4 Plus and P/2 DA6 Plus are one input VGA-UXGA distribution amplifiers that split a signal and distribute it to four or six separate outputs. With 300 MHz (-3dB) of video bandwidth, the P/2 DA4 Plus and P/2 DA6 Plus are capable of driving any VGA-UXGA computer signal up to 250 feet (76 meters) using Extron high resolution VGA cable. Each output is individually buffered and amplified to help maintain the original signal integrity and eliminate noise interference. The P/2 DA4 Plus and P/2 DA6 Plus are also compatible with a variety of data displays and include a video gain switch for long cable runs.

### OPTIONAL ACCESSORIES

• T-VGA	VGA/SVGA Termination Adapter	26-106-01
• RSU 129	1U 9.5" Deep Universal Rack Shelf Kit	60-190-01
• MBU 129	1U, Half Rack Under-Desk Mount Kit	70-219-01

### SPECIFICATIONS

#### Video

Gain	0.7V or 1.0V, switchable
Bandwidth	300 MHz (-3dB), fully loaded

#### Video input

Number/signal type	1 VGA-UXGA: RGBHV, RGBS, RGsB, RsGsBs
Connectors	(1) 15-pin HD female (optional Mac/VGA adapters are available)
Nominal level	0.7V p-p for RGB
Minimum/maximum levels	Analog: 0.3V to 1.5V p-p with no offset at unity gain
Impedance	75 ohms
Horizontal frequency	15 kHz to 135 kHz
Vertical frequency	30 Hz to 150 Hz
Return loss	<-45dB @ 5 MHz

#### Video output

Number/signal type	P/2 DA4 PLUS: 4 VGA-UXGA RGBHV, RGBS, RGsB, RsGsBs
P/2 DA6 PLUS	6 VGA-UXGA: RGBHV, RGBS, RGsB, RsGsBs

Connectors	(4 or 6) 15-pin HD female (depending on the model)
Minimum/maximum levels	0.3V to 1.5V p-p
Nominal level	0.7V p-p for RGB
Impedance	75 ohms
Return loss	<-45dB @ 5 MHz
DC offset	±5mV maximum with input at 0 offset

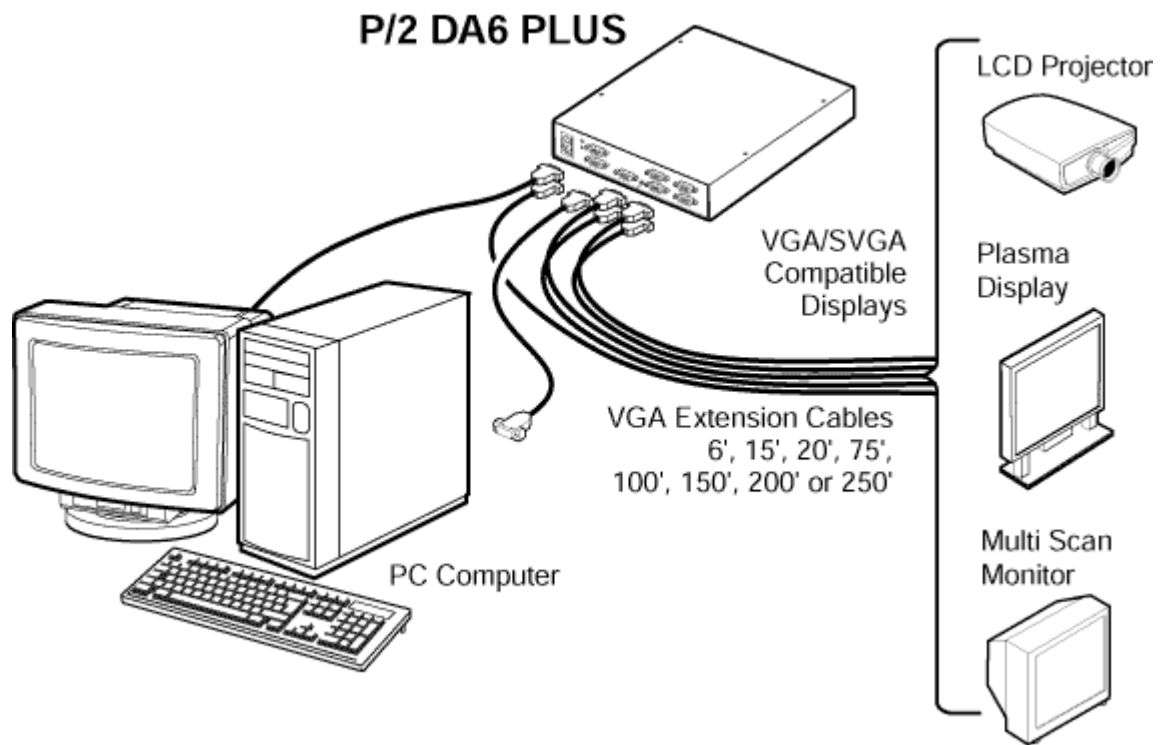
**Sync**

Input type	RGBHV, RGBS, RGsB, RsGsBs
Output type	RGBHV, RGBS, RGsB, RsGsBs
Input level (min./max.)	3.0V to 5.0V p-p
Output level	TTL: 5.0V p-p, unterminated
Input impedance	510 ohms
Output impedance	75 ohms
Max. propagation delay	60 ns
Max. rise/fall time	2 ns
Polarity	Positive or negative

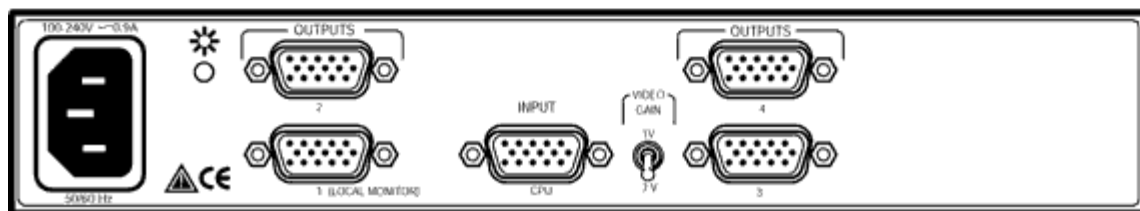
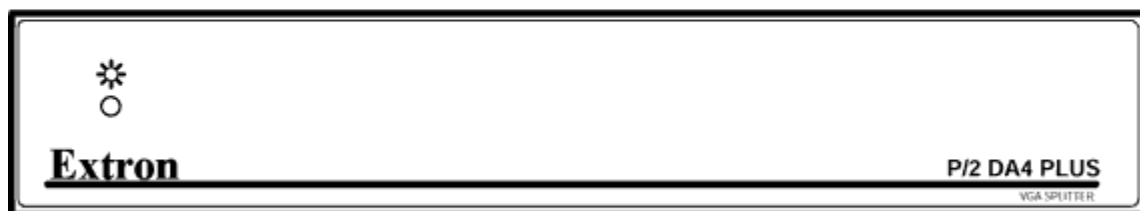
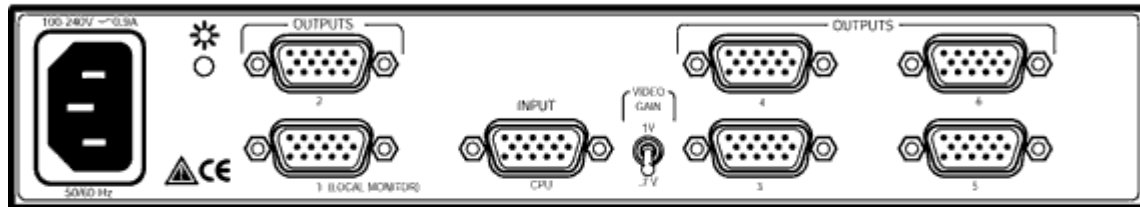
**General**

Power	100VAC to 240VAC, 50/60 Hz, 12 watts, internal, autoswitchable
Temperature/humidity	Storage -40° to +158°F (-40° to +70°C) / 10% to 90%, non-condensing Operating +32° to +122°F (0° to +50°C) / 10% to 90%, non-condensing
Rack mount	Yes, with optional 1U rack shelf, part #60-190-01
Enclosure type	Metal
Enclosure dimensions	1.6" H x 8.7" W x 9.4" D: (1U high, half rack width) 4.1 cm H x 22.1 cm W x 23.9 cm D (Depth excludes connectors.)
Product weight	2.2 lbs (1.0 kg)
Shipping weight	
P/2 DA4 PLUS	4 lbs (2 kg)
P/2 DA6 PLUS	5 lbs (3 kg)
Vibration	ISTA/NSTA 1A in carton (International Safe Transit Association)
Listings	UL, CUL
Compliances	CE
MTBF	30,000 hours
Warranty	3 years parts and labor
(7.40-031303-D2)	

DIAGRAM



PANEL DRAWING



© 2006 Extron Electronics. Specifications are subject to change without notice.