

DA RGBHV Series

ANALOG RGBHV DISTRIBUTION AMPLIFIERS

- 350 MHz (-3dB) RGB video bandwidth, fully loaded
- Compatible with RGBHV, RGBS, RGSB, RsGsBs, component video, S-video, and composite video
- Gain/peaking adjustments
- AC or DC coupling
- Individually buffered outputs
- Output muting control
- Internal international power supply
- Rack mountable metal enclosure



DA6 RGBHV

The Extron DA RGBHV Series of distribution amplifiers split a signal from a high-resolution source and distribute it to multiple outputs, providing amplification and enhancement of the signal to maintain signal quality. Models in this series include the DA2 RGBHV, DA4 RGBHV, and DA6 RGBHV.



Extron® Electronics

www.extron.com

DESCRIPTION

The Extron DA RGBHV Series includes three models of rack-mountable, analog distribution amplifiers: two output (**DA2 RGBHV**), a four output (**DA4 RGBHV**), and a six output (**DA6 RGBHV**). Each of these models accept and distribute RGBHV, RGBS, RGsB, RsGsBs, HDTV/component video, S-video, composite video on female BNC connectors. In addition, the DA RGBHV Series provides DIP switches for adjusting RGB gain and peaking, as well as for selecting input AC or DC coupling. An output muting control offers muting of any one or all outputs when used with a third-party control system. With 350 MHz (-3dB) RGB video bandwidth, fully loaded, the DA RGBHV Series maintains signal integrity over long cable runs from high-resolution PCs and CAD workstations to multiple graphics projectors or display monitors.

FEATURES

- 350 MHz (-3dB) RGB video bandwidth, fully loaded
- Compatible with RGBHV, RGBS, RGsB, RsGsBs, HDTV/component video, S-video, and composite video
- Gain/peaking adjustments
- AC or DC coupling
- Output muting control on 9-pin contact closure connector
- LED power indicator
- 1U high, half rack (DA2 RGBHV only) or full rack width, metal enclosure
- Internal international 100-240 VAC 50/60 Hz power supply

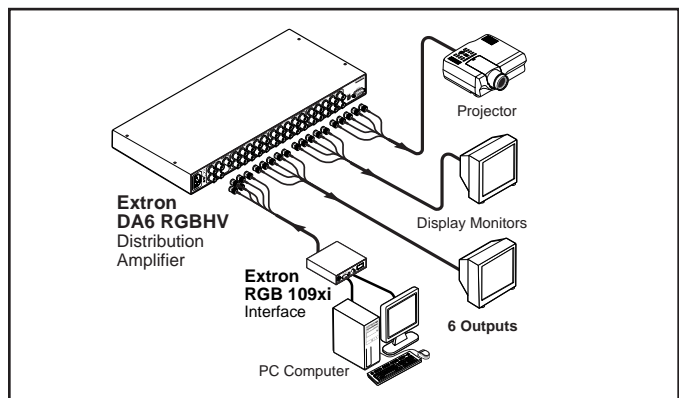
SPECIFICATIONS

| VIDEO | |
|--------------------------------|--|
| Gain | Unity (0.7V), or (0.8V) 100%, switch selectable |
| Peaking | 0dB or +6dB at 100 MHz, switch-selectable |
| Bandwidth | 350 MHz (-3dB), fully loaded |
| Differential phase error | <1.0°, 0 to 100 MHz |
| Differential gain error | <1.0%, 0 to 100 MHz |
| VIDEO INPUT | |
| Number/signal type | 1 RGBHV, RGBS, RGsB, RsGsBs, component video, S-video, composite video |
| Connectors | 5 female BNC |
| Minimum/maximum levels | Analog, 0.3V p-p to 1.5V p-p with no offset at unity gain |
| Impedance | 75 ohms |
| Horizontal frequency | 15 kHz to 180 kHz |
| Vertical frequency | 15 Hz to 170 Hz |
| Return loss | -38.5dB @ 5 MHz |
| Maximum DC offset | 5.0V (in AC coupling mode) |
| AC/DC coupling | Yes, switch selectable |
| VIDEO OUTPUT | |
| Number/signal type | 2, 4, or 6 RGBHV, RGBS, RGsB, RsGsBs, component video, S-video, composite video, digital video |

SPECIFICATIONS (CONT.)

| Connectors | 2, 4, or 6 x 5 BNC female |
|--|---|
| Minimum/maximum level(s) | 0.3V p-p to 1.5V p-p |
| Impedance | 75 ohms |
| Return loss | -44dB @ 5 MHz |
| DC offset | ±5mV maximum with input at 0 offset |
| SYNC | |
| Input/output type | RGBHV, RGBS, RGsB, RsGsBs |
| Input level | Analog or TTL, 0.5V to 5V p-p |
| Output level | TTL, 5V p-p (not terminated) |
| Input impedance | 510 ohms |
| Output impedance | 75 ohms |
| Max. input voltage | 5.0V p-p |
| Max. propagation delay | 35 ns |
| Max. rise/fall time | 4 ns |
| Polarity | Positive or negative (follows input) |
| CONTROL/REMOTE — DISTRIBUTION AMPLIFIER | |
| Contact closure | 1 9-pin female D connector |
| GENERAL | |
| Power | 100VAC to 240VAC, 50/60 Hz, 10 watts, internal, auto-switchable |
| Rack mount | |
| DA2 RGBHV | Yes, with optional 1U rack shelf, part #60-190-01 |
| All other models | Yes, with included brackets |
| Enclosure type | Metal |
| Enclosure dimensions | |
| DA2 RGBHV | 1.75" H x 8.75" W x 9.5" D (1U high, half rack width) 4.4 cm H x 22.2 cm W x 24.1 cm D |
| All other models | 1.75" H x 17.5" W x 8.5" D (1U high, full rack width) 4.4 cm H x 44.4 cm W x 21.6 cm D (Depth excludes connectors.) |
| Product weight | 6 lbs (2.7 kg) |
| Shipping weight | 12 lbs (5.4 kg) |
| Listings/Compliances | UL, CUL, CE, FCC Class A, VCCI, AS/NZS, ICES |
| Warranty | 3 years parts and labor |
| Model | Part Number |
| DA2 RGBHV | 60-488-01 |
| DA4 RGBHV | 60-489-01 |
| DA6 RGBHV | 60-490-01 |
| Accessories | |
| 1U 19" (48cm) Rack Shelf Kit (DA2 RGBHV) | 60-190-01 |
| Table Mounting Bracket Kit (DA2 RGBHV) | 70-077-01 |

APPLICATION DIAGRAM



Extron Electronics, USA
 1230 South Lewis Street
 Anaheim, CA 92805
 800.633.9876 714.491.1500
 FAX 714.491.1517

Extron Electronics, Europe
 Beeldschermweg 6C, 3821 AH Amersfoort
 The Netherlands
 +800.3987.6673 +31.33.453.4040
 FAX +31.33.453.4050

Extron Electronics, Asia
 135 Joo Seng Rd. #04-01
 PM Industrial Bldg.
 Singapore 368363
 +65.6383.4400 FAX +65.6383.4664

Extron Electronics, Japan
 Daisan DMJ Bldg. 6F, 3-9-1 Kudan Minami
 Chiyoda-ku, Tokyo 102-0074
 Japan
 +81.3.3511.7655 FAX +81.3.3511.7656